

EasySpec[®] Medium 1231

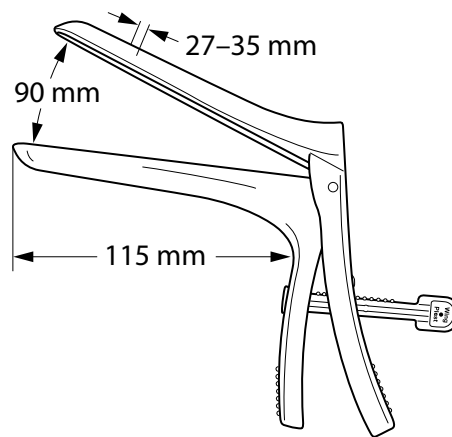
Wing Plast's EasySpec Medium 1231 is a non sterile disposable vaginal speculum. The EasySpec Medium has smooth, rounded ends with high proven quality. The special low friction surface makes insertion easy and more comfortable for the patient.

After insertion the EasySpec can be locked at the correct angle by adjusting the silent locking device.

The EasySpec range includes small, medium and large.

- Easy and safe to use
- A silent and safe lock
- Low friction surface for easy insertion
- Smooth, rounded ends for patients comfort
- Proven high quality and strength
- Ridged handle for a good grip
- Low risk of skin trapping
- Optimum opening width

EasySpec® Medium 1231



Material

- Polystyrene crystal, Polyethylene HD
- Melting Temperature: 100 °C
- Not autoclaveable
- Latex free



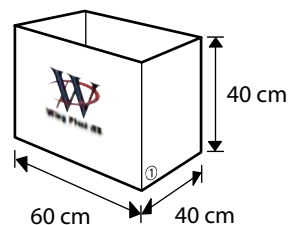
Weight

- Detail: 36 g
- Transport packaging: 7 kg

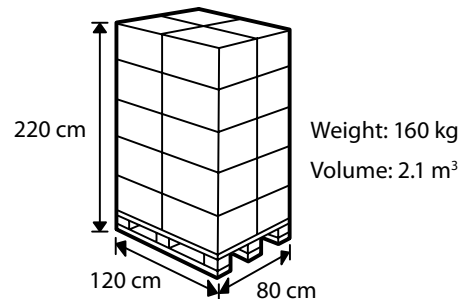
Packaging

- Section package: 25 pcs
- Transport packaging: 150 pcs
- Pallet quantity: 3,000 pcs

Transport packaging



Pallet



Quality	ISO 9001
Environmental	ISO 14001
Medical	ISO 13485



301-1231-001-170731

• **Wing Plast** – Quality Medical Instruments

- ISO 9001
- ISO 14001
- ISO 13485

